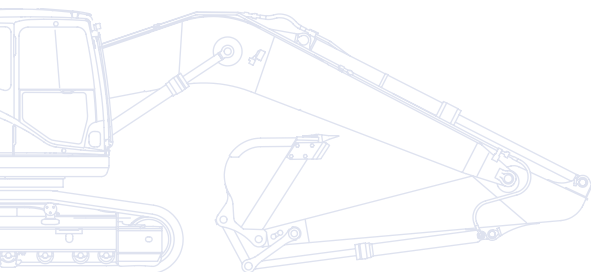


KOMATSU



**PC
228**

Hydraulic Excavator **PC228USLC-10**



ENGINE POWER
123 kW / 165 HP @ 2.000 rpm

OPERATING WEIGHT
23.800 - 25.190 kg

BUCKET CAPACITY
max. 1,49 m³

Walk-Around

The Komatsu PC228USLC-10 hydraulic excavator was designed with an ultra-short tail swing to meet the challenges of work in confined areas. With a near-zero tail swing radius, it's the ultimate machine for jobsite safety and is perfect for work on roadways, bridges, in urban areas, or anywhere with limited work space. The PC228USLC-10 delivers the quality, performance and productivity you can expect from Komatsu equipment.

Powerful and environmentally friendly

- Low consumption EU Stage IIIB engine
- Fuel-saving engine and hydraulic technology
- Eco-gauge and idle caution

Quality you can rely on

- Reliable and efficient
- Rugged design
- Sliding door
- Komatsu-quality components
- Extensive dealer support network



Complimentary maintenance program for customers

PC228usLC-10

ENGINE POWER
123 kW / 165 HP @ 2.000 rpm

OPERATING WEIGHT
23.800 - 25.190 kg

BUCKET CAPACITY
max. 1,49 m³

First-class operator comfort

- Wide, spacious cab
- Low noise design
- Low vibration levels
- Pressurised cab
- Large, widescreen TFT monitor panel



Highest safety standards

- Safe SpaceCab™, ROPS compliant with ISO12117-2:2008
- Rear view camera
- Optimal jobsite safety
- Safe access, easy maintenance
- Falling Object Protection System (FOPS) optional



Total versatility

- Ultra-short tail swing
- Ideal for a wide range of applications
- 6 working modes
- Wide choice of options
- Built-in versatility

KOMTRAX

Komatsu Wireless
Monitoring System

Total Versatility

Ideal for a wide range of applications

Powerful and precise, the Komatsu PC228USLC-10 is equipped to efficiently carry out any task your business requires. On big sites or small, for digging, trenching, landscaping or site preparation, the Komatsu original equipment hydraulic system always ensures maximum productivity and control.

6 working modes

Power, Lifting, Breaker, Economy, Attachment Power and Attachment Economy modes are all available, ensuring that the PC228USLC-10 delivers the power you need with minimised fuel usage. The Economy mode can be adjusted for an ideal balance between power and economy to match your work. The oil flow delivered to hydraulic attachments is adjustable directly on the class-leading wide screen monitor panel.

Built-in versatility

A standard fit additional hydraulic circuit, controlled by a sliding joystick push button and a floor mounted pedal, gives the PC228USLC-10 excellent versatility. Ten attachment memory settings are provided, with individually definable names. In combination with the standard-fit hydraulic quick coupler power circuit, changing working style is now even simpler. A second auxiliary hydraulic line is available for attachments which require extra hydraulic actuation.

A wide choice of options

With a choice of arms and undercarriages, you can configure the PC228USLC-10 to match specific demands for transport, working envelope or duty. Extra hydraulic arrangements are available for every boom and arm configuration, making sure that the machine always contributes strongly to your business.

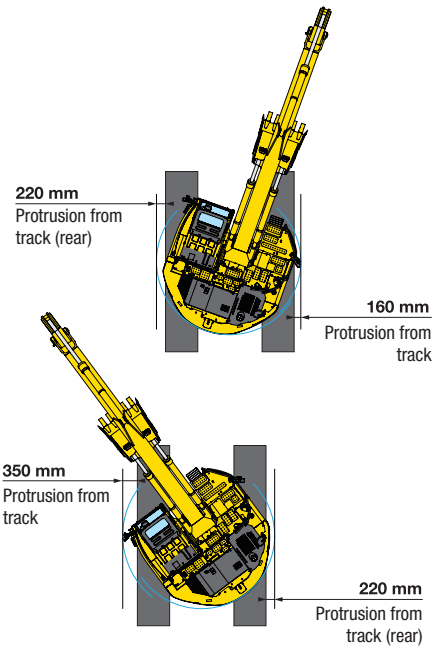


Two-piece boom



600 mm road-liner shoes (optional)





Short tail swing and exceptional stability

The PC228USLC-10 has a rounded profile with minimal protrusions at both the front and the rear. Its ultra-short tail swing radius is perfect for work in tight spaces, particularly in urban areas, or for road construction, logging and demolition. Thanks to optimised packaging, the PC228USLC-10 is exceptionally stable. Coupled with the machine's wide working range, this stability makes it ideal for any work requiring long reach, such as demolition jobs and slope cutting. With ample dumping reach available for loading operations, the operator can always work easily, efficiently and with absolute confidence.

Powerful and Environmentally Friendly

New Komatsu engine technology

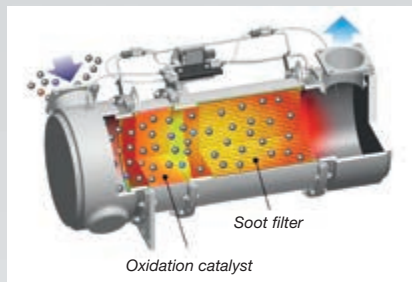
The powerful and fuel-efficient Komatsu SAA6D107E-2 engine in the PC228USLC-10 delivers 123 kW / 165 HP and is EU Stage IIIB certified. To maximise power, fuel efficiency and emission compliance, it is turbo charged and features direct fuel injection, air-to-air after cooling and cooled EGR.

Fuel-saving engine and hydraulic technology

The PC228USLC-10 features variable speed matching of the engine and hydraulic pump, and an automatic low idle. The new engine and pump control technology lower total fuel consumption and guarantee efficiency and precision during single and combined movements.

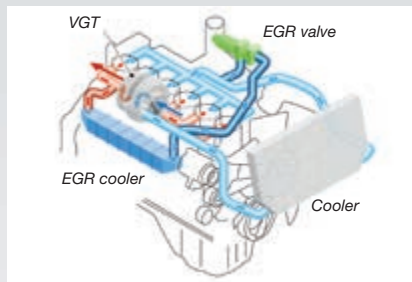
Komatsu Diesel Particulate Filter (KDPF)

Komatsu's high efficiency DPF captures more than 90% of particulate matter. It includes a special oxidation catalyst with fuel injection system that can incinerate trapped particulates by either active or passive regeneration with no need to interrupt machine operations.



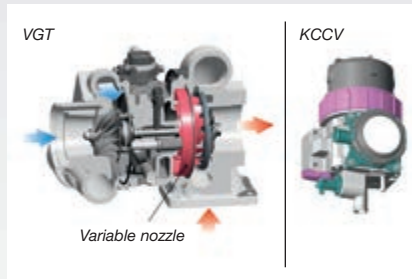
Exhaust Gas Recirculation (EGR)

Cooled EGR is a technology well-proven in current Komatsu engines. The increased capacity of the EGR cooler now ensures very low NOx emissions and a better engine performance.



Variable Geometry Turbo (VGT)

The VGT provides optimal air flow to the engine combustion chamber under all speed and load conditions. Exhaust gas is cleaner, fuel economy is improved while machine power and performance are maintained.

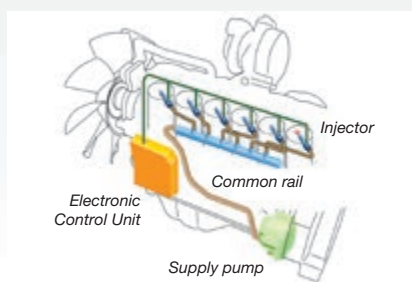


Komatsu Closed Crankcase Ventilation (KCCV)

Crankcase emissions (blow-by gas) are passed through a CCV filter. The oil mist trapped in the filter is returned back to the crankcase while the filtered gas is returned to the air intake.

High-Pressure Common Rail (HPCR)

To achieve complete fuel burn and lower exhaust emissions, the heavy duty High-Pressure Common Rail fuel injection system is computer controlled to deliver a precise quantity of pressurised fuel into the redesigned engine combustion chamber by multiple injections.



Reduced wastage

Standard equipment on all PC228USLC-10 includes an electric quick-connection fuel pump with storage, simple to operate and with an automatic shut-off. To further increase the system's safety, a barrier and special foams help to avoid any spilt fuel flowing towards hot areas of the machine.



Eco-gauge and idle caution

The unique ECO-gauge helps the operator reduce emissions and fuel consumption for environmentally friendly and energy saving operations. And to further avoid wasting fuel when the machine is not actually working, a standard-fit idle caution is displayed if the engine idles for 5 minutes or more.



Idle caution



ECO Gauge

First-Class Operator Comfort

Wide spacious cab

The wide and spacious cab includes a comfortable air suspension seat with a reclining backrest. The seat height and longitudinal inclination are easily adjusted with a pull-up lever. You can also set the operational posture of the armrest and the position of the console.

Improved operator convenience

With increased in-cab storage space, an auxiliary input (MP3 jack) and 12 V and 24 V power supply, the cab offers maximum convenience. The automatic air conditioner allows the operator to easily and precisely set the cab's atmosphere.

Low noise design

Komatsu Dash 10 crawler excavators have very low external noise levels and are especially well-suited for work in confined spaces or urban areas. Reduced fan speed, a large capacity radiator, and the optimal usage of sound insulation and of sound absorbing materials help to make noise levels inside Dash 10 excavators comparable to those inside an executive car.

Cab damper mounting

The built-in stability of the Komatsu PC228USLC-10, combined with a highly rigid deck and a sprung multi-layer viscous mount system, drastically reduces vibration levels for the operator.



Automatic air conditioner



Hot and cool box



Joysticks with proportional control button for attachments



Large, widescreen hi-res display monitor

To enable safe, accurate and smooth work, the user friendly monitor is the highly intuitive user interface for the machine's Equipment Management and Monitoring System (EMMS). Easily customized and with a choice of 25 languages, it features simple switches and multifunction keys that provide the operator with fingertip access to a wide range of functions and operating information.



Highest Safety Standards

Safe operation in confined areas

The machine's rounded profile allows it to operate in narrow spaces or where there are a number of obstructions. The compact tail design minimises the risks of rear impact and lets the operator concentrate fully on his work.

Safe SpaceCab™

The new cab is ROPS compliant with ISO 12117-2:2008. It has a tubular steel frame and provides very high shock absorbency, impact resistance and durability. The seat belt is designed to keep the operator in the safety zone of the cab in the event of a roll-over. At your request, the Komatsu PC228USLC-10 can also be fitted with an ISO 10262 Level 2 Falling Object Protective System (FOPS).

Optimal job site safety

Safety features on the Komatsu PC228USLC-10 comply with the latest industry standards and work together as a system to minimise risks to personnel in and around the machine. An audible travel alarm further promotes job site safety. Very durable anti-slip plates – with additional high friction covering – maintain long term traction performance.

Rear view camera

A standard fitment camera gives an exceptionally clear view of the rear work zone on the wide-screen monitor panel. On request, another camera can be added to the right side of the machine.

Short tail swing radius

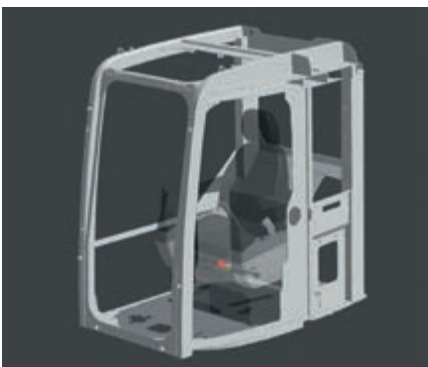
1,81 m – Because the tail of the PC228USLC-10 is more compact than conventional models, the PC228USLC-10 reduces the operator's need to check behind him for movement.

Short implement swing radius

2,31 m – Boom raising angle of the PC228USLC-10 is larger than the PC210-10, while front implement protrusion is lessened.



Rear view camera

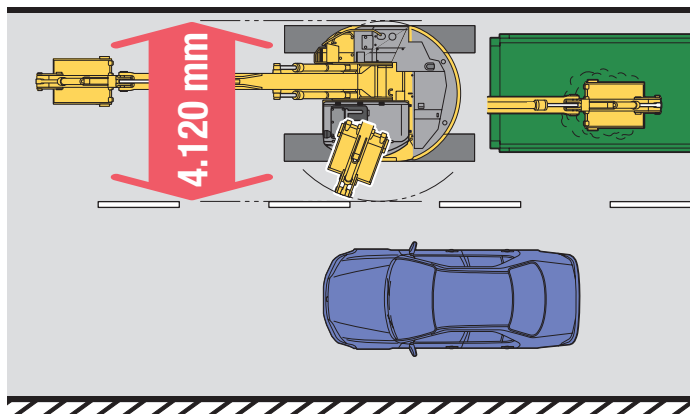
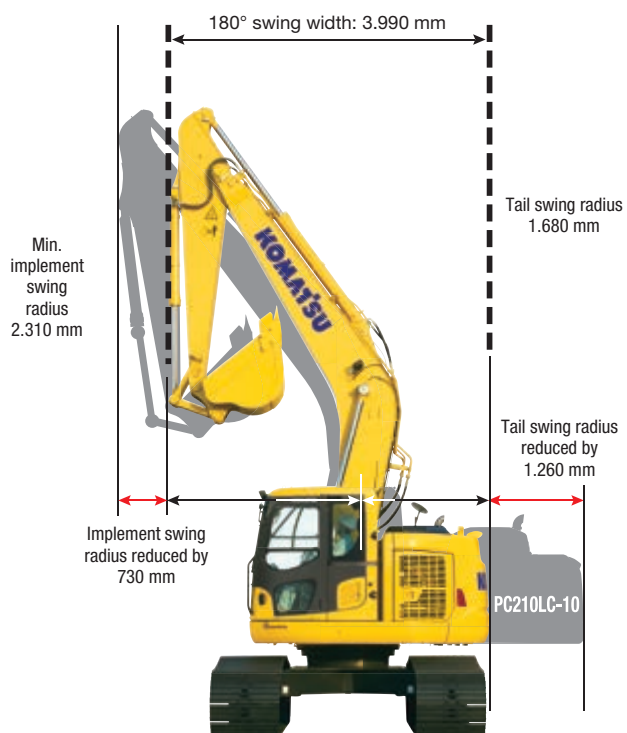


Safe SpaceCab™



Falling Object Protection System (FOPS) optional





When performing road work, protrusion of the machine into the unoccupied lane is kept to a minimum. This allows a dump truck to be positioned closer to the track of the machine.





Quality You Can Rely On

Reliable and efficient

Productivity is the key to success – all major components of the PC228USLC-10 are designed and directly manufactured by Komatsu. Essential machine functions are perfectly matched for a highly reliable and productive machine.

Rugged design

Maximum toughness and durability – along with top class customer service – are the cornerstones of Komatsu’s philosophy. Single piece plates and castings are used in key areas of the machine’s structure for good load distribution.

Komatsu-quality components

With the latest computer design techniques and a thorough test programme, Komatsu’s global know-how produces machines that are designed, manufactured and tested to meet your highest standards.

Extensive dealer support network

The extensive Komatsu distribution and dealer network is standing by to help keep your fleet in optimum condition. Customised servicing packages are available, with express availability of spare parts, to make sure that your Komatsu will continue to perform at its peak.



Cast boom foot



Single piece boom plates



The sliding door facilitates easy entrance in confined areas while reducing the risk of damage on roadways. The cab also features a sliding window.



Komatsu Wireless Monitoring System

The easy way to higher productivity

KOMTRAX™ is the latest in wireless monitoring technology. It delivers insightful and cost saving information about your fleet and equipment and offers you a wealth of information to facilitate peak machine performance. By creating a tightly integrated web of support it allows pro active and preventive maintenance and helps you to efficiently run a business.

Knowledge

You get quick answers to basic and critical questions about your machines – what they're doing, when they did it, where they're located, how they can be used more efficiently, and when they need to be serviced. Performance data is relayed by satellite from your machine to your computer and to your local Komatsu distributor – who's readily available for expert analysis and feedback.

Convenience

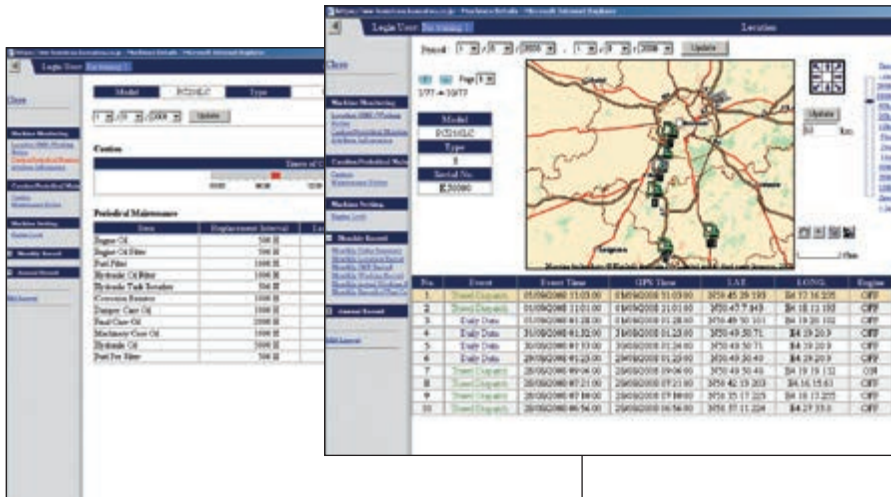
KOMTRAX™ helps to conveniently manage your fleet on the web, wherever you are. Data is analysed and packaged specifically for easy and intuitive viewing in maps, lists, graphs and charts. You can anticipate the type of service and parts your machines could require, or troubleshoot problems before Komatsu technicians arrive on site.



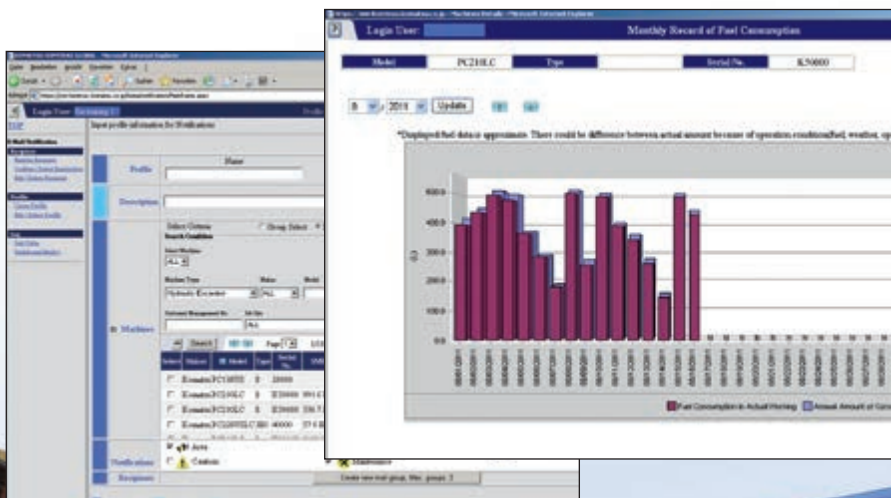


Power

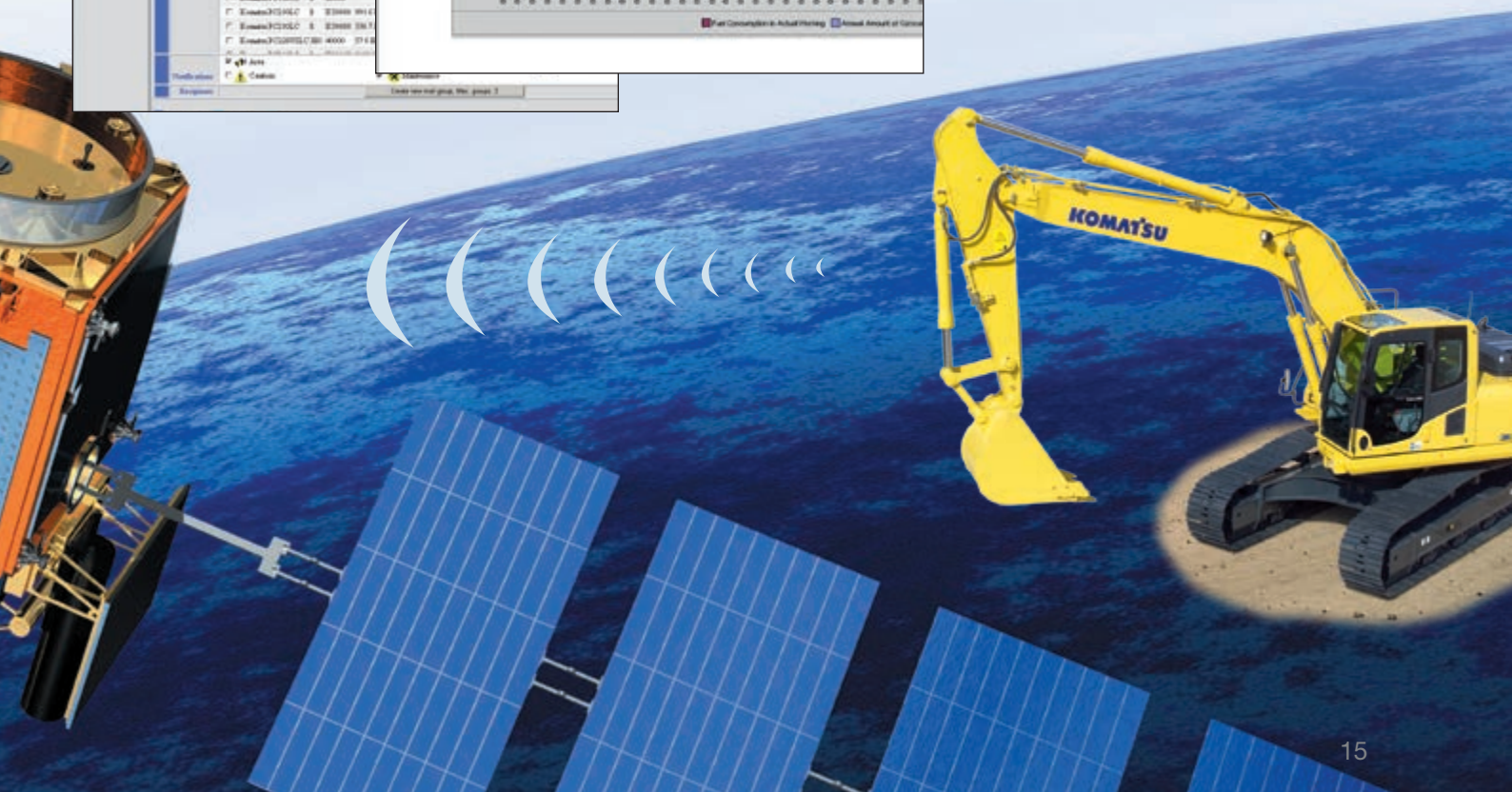
The detailed information that KOMTRAX™ puts at your fingertips 24 hours a day, 7 days a week gives you the power to make better daily and long-term strategic decisions. You can anticipate problems, customize maintenance schedules, minimize downtime and keep your machines where they belong – working on the job site.



Through the web application, a variety of search parameters are available to quickly find information about specific machines based on key factors such as utilization rates, age, various notification messages, and more.



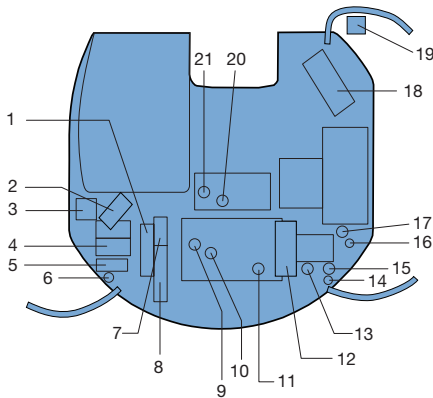
A simple chart shows the machine's fuel consumption and helps you to calculate total costs for a job site and conveniently schedule fuel deliveries.



Easy Maintenance

Optimum maintenance layout

Komatsu designed the PC228USLC-10 to have easy service access. By doing so, routine maintenance and servicing are less likely to be skipped, which can mean a reduction in costly downtime later on. Here are some of the many service features found on the PC228USLC-10.



1. Aftercooler
2. Air cleaner
3. Coolant reserve tank
4. Batteries
5. Tool box
6. Grease gun holder
7. Oil cooler
8. Radiator
9. Engine oil filler
10. Engine oil dipstick
11. Komatsu Closed Crankcase Ventilation (KCCV)
12. Komatsu Diesel Particulate Filter (KDPF)
13. Fuel filter
14. PTO oil filler
15. Fuel pre filter (with water separator)
16. Fuel drain valve
17. Engine oil filter
18. Control valve
19. Windshield washer tank
20. Swing machinery dipstick
21. Swing machinery oil filler

Long-life oil filters

The hydraulic oil filter uses high-performance filtering material for long element replacement intervals, which significantly reduces maintenance costs.



Side-by-side cooling

Since the radiator, aftercooler and oil cooler are arranged in parallel, it is easy to clean, remove and install them.

Easy cleaning of coolers

Hinged air conditioning cooler and side-by-side radiator and oil cooler allow easy access for cleaning.

Komatsu CARE is a complimentary maintenance program for Komatsu customers that comes as standard with every new Komatsu EU Stage IIIB construction machine. For the first 3 years or 2,000 hours it covers factory-scheduled maintenance, performed by Komatsu-trained technicians with Komatsu Genuine parts. It also offers up to a maximum of 2 complimentary Komatsu Diesel Particulate Filter (KDPF) exchange units and a KDPF warranty for the first 5 years or 9,000 hours.



ENGINE

Model	Komatsu SAA6D107E-2
Type	Common rail direct injection, water-cooled, emissionised, turbocharged, after-cooled diesel
Engine power	
at rated engine speed	2.000 rpm
ISO 14396	123 kW / 165 HP
ISO 9249 (net engine power)	116 kW / 156 HP
No. of cylinders	6
Bore x stroke	107 x 124 mm
Displacement	6,69 ltr
Battery	2 x 12 V/120 Ah
Alternator	24 V/60 A
Starter motor	24 V/5,5 kW
Air filter type	Double element type with monitor panel dust indicator and auto dust evacuator
Cooling	Suction type cooling fan with radiator fly screen

HYDRAULIC SYSTEM

Type	HydrauMind. Closed-centre system with load sensing and pressure compensation valves
Additional circuits	Depending on the specification up to 2 additional circuits can be installed
Main pump	2 variable displacement piston pumps supplying boom, arm, bucket, swing and travel circuits
Maximum pump flow	2 x 237,5 ltr/min
Relief valve settings	
Implement	380 bar
Travel	380 bar
Swing	300 bar
Pilot circuit	33 bar

SERVICE REFILL CAPACITIES

Fuel tank	310 ltr
Radiator	30,0 ltr
Engine oil	23,1 ltr
Swing drive	6,5 ltr
Hydraulic tank	126 ltr
Final drive (each side)	5,0 ltr

OPERATING WEIGHT (APPR.)

	MONO BOOM		TWO-PIECE BOOM	
	Operating weight	Ground pressure	Operating weight	Ground pressure
Triple grouser shoes				
600 mm	23.800 kg	0,50 kg/cm ²	24.640 kg	0,52 kg/cm ²
700 mm	24.070 kg	0,43 kg/cm ²	24.910 kg	0,45 kg/cm ²
800 mm	24.350 kg	0,38 kg/cm ²	25.190 kg	0,40 kg/cm ²

Operating weight, including 650 kg bucket, 2,9 m arm, operator, lubricant, coolant, full fuel tank and the standard equipment.

SWING SYSTEM

Type	Axial piston motor driving through planetary double reduction gearbox
Swing lock	Electrically actuated wet multi-disc brake integrated into swing motor
Swing speed	0 - 11,0 rpm

DRIVES AND BRAKES

Steering control	2 levers with pedals giving full independent control of each track
Drive method	Hydrostatic
Travel operation	Automatic 3-speed selection
Gradeability	70%, 35°
Max. travel speeds	
Lo / Mi / Hi	3,0 / 4,1 / 5,5 km/h
Maximum drawbar pull	20.600 kgf
Brake system	Hydraulically operated discs in each travel motor

UNDERCARRIAGE

Construction	X-frame centre section with box section track frames
Track assembly	
Type	Fully sealed
Shoes (each side)	49
Tension	Combined spring and hydraulic unit
Rollers	
Track rollers (each side)	9
Carrier rollers (each side)	2

ENVIRONMENT

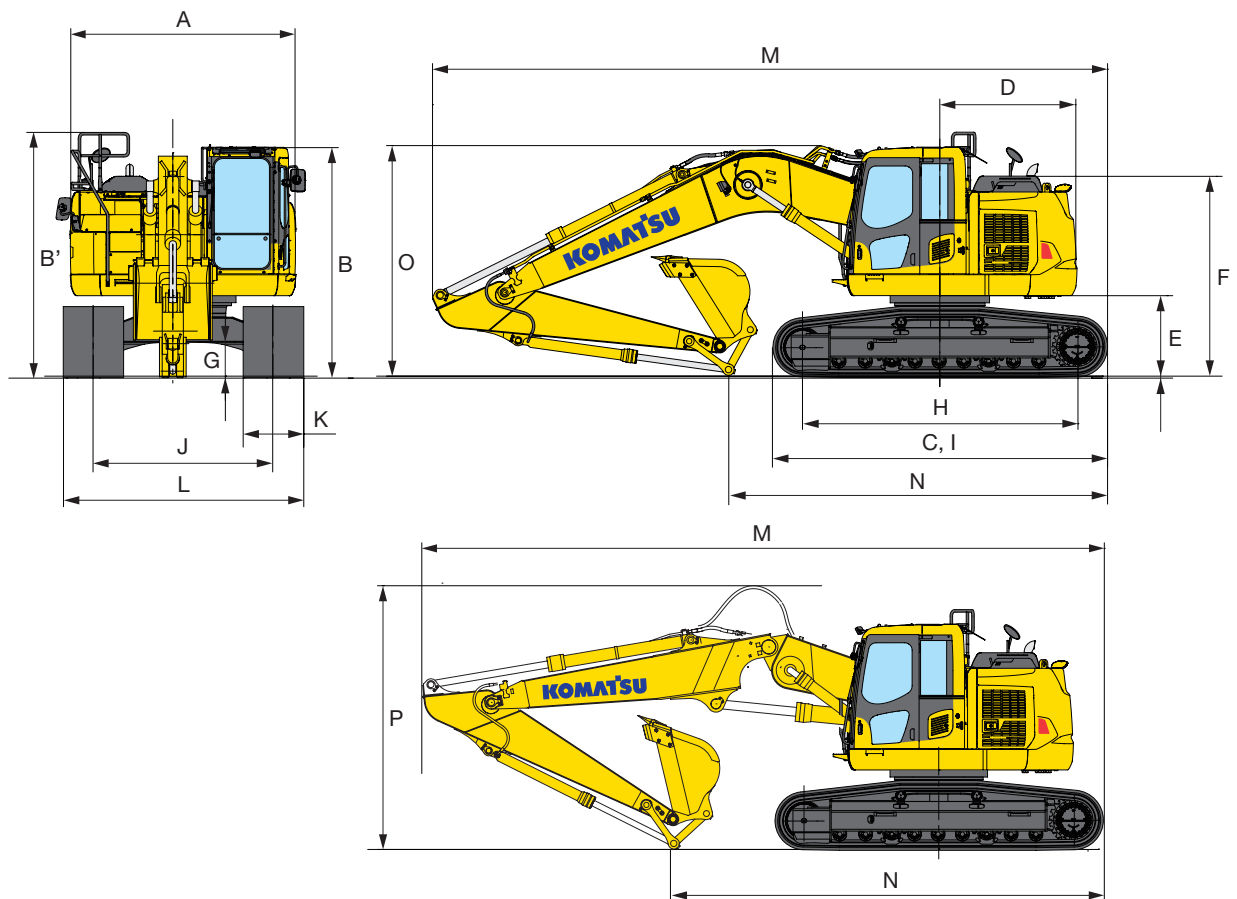
Engine emissions	Fully complies with EU Stage IIIB exhaust emission regulations
Noise levels	
LwA external	102 dB(A) (2000/14/EC Stage II)
LpA operator ear	72 dB(A) (ISO 6396 dynamic test)
Vibration levels (EN 12096:1997)*	
Hand/arm	≤ 2,5 m/s ² (uncertainty K = 0,49 m/s ²)
Body	≤ 0,5 m/s ² (uncertainty K = 0,25 m/s ²)

* for the purpose of risk assessment under directive 2002/44/EC, please refer to ISO/TR 25398:2006.

Dimensions

MACHINE DIMENSIONS

A	Overall width of upper structure	2.980 mm
B	Overall height of cab	3.050 mm
B'	Overall height (handrail)	3.240 mm
C	Overall length of basic machine	4.450 mm
D	Tail length	1.680 mm
	Tail swing radius	1.680 mm
E	Clearance under counterweight	1.060 mm
F	Machine tail height (to top of engine cover)	2.635 mm
G	Ground clearance	440 mm
H	Tumbler centre distance	3.655 mm
I	Track length	4.450 mm
J	Track gauge	2.380 mm
K	Track shoe width	600, 700, 800 mm
L	Overall track width with 600 mm shoe	2.980 mm
	Overall track width with 700 mm shoe	3.080 mm
	Overall track width with 800 mm shoe	3.180 mm



TRANSPORT DIMENSIONS

	MONO BOOM		TWO-PIECE BOOM		
	2,4 m	2,9 m	2,4 m	2,9 m	
M	Transport length	8.980 mm	8.920 mm	9.190 mm	9.285 mm
N	Length on ground (transport)	5.890 mm	5.050 mm	6.595 mm	5.855 mm
O	Overall height (to top of boom)	3.165 mm	3.040 mm	-	-
P	Overall height (to top of hose)	-	-	3.610 mm	3.575 mm



MAX. BUCKET CAPACITY AND WEIGHT

Arm length	MONO BOOM			
	2,4 m		2,9 m	
Material weight up to 1,2 t/m ³	1,49 m ³	1.100 kg	1,37 m ³	1.000 kg
Material weight up to 1,5 t/m ³	1,36 m ³	1.000 kg	1,26 m ³	950 kg
Material weight up to 1,8 t/m ³	1,18 m ³	900 kg	1,10 m ³	875 kg

MAX. BUCKET CAPACITY AND WEIGHT

Arm length	TWO-PIECE BOOM			
	2,4 m		2,9 m	
Material weight up to 1,2 t/m ³	1,43 m ³	1.025 kg	1,32 m ³	975 kg
Material weight up to 1,5 t/m ³	1,22 m ³	925 kg	1,12 m ³	875 kg
Material weight up to 1,8 t/m ³	1,06 m ³	850 kg	0,97 m ³	800 kg

Max. capacity and weight have been calculated according to ISO 10567:2007.

Please consult with your distributor for the correct selection of buckets and attachments to suit the application.

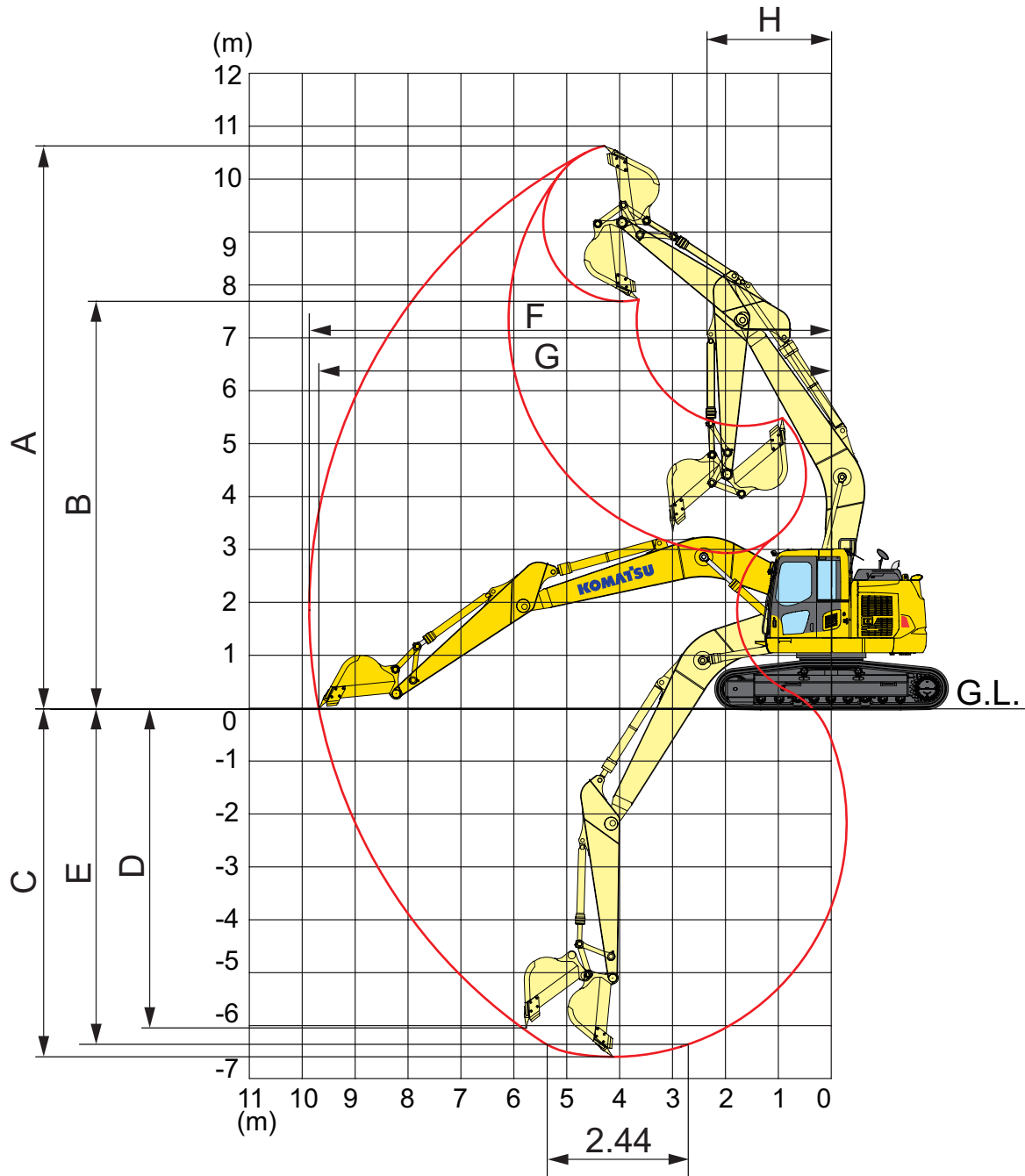
BUCKET AND ARM FORCE

Arm length	2,4 m	2,9 m
Bucket digging force	16.500 kg	14.100 kg
Bucket digging force at PowerMax	17.500 kg	15.200 kg
Arm crowd force	12.200 kg	10.300 kg
Arm crowd force at PowerMax	13.000 kg	11.000 kg



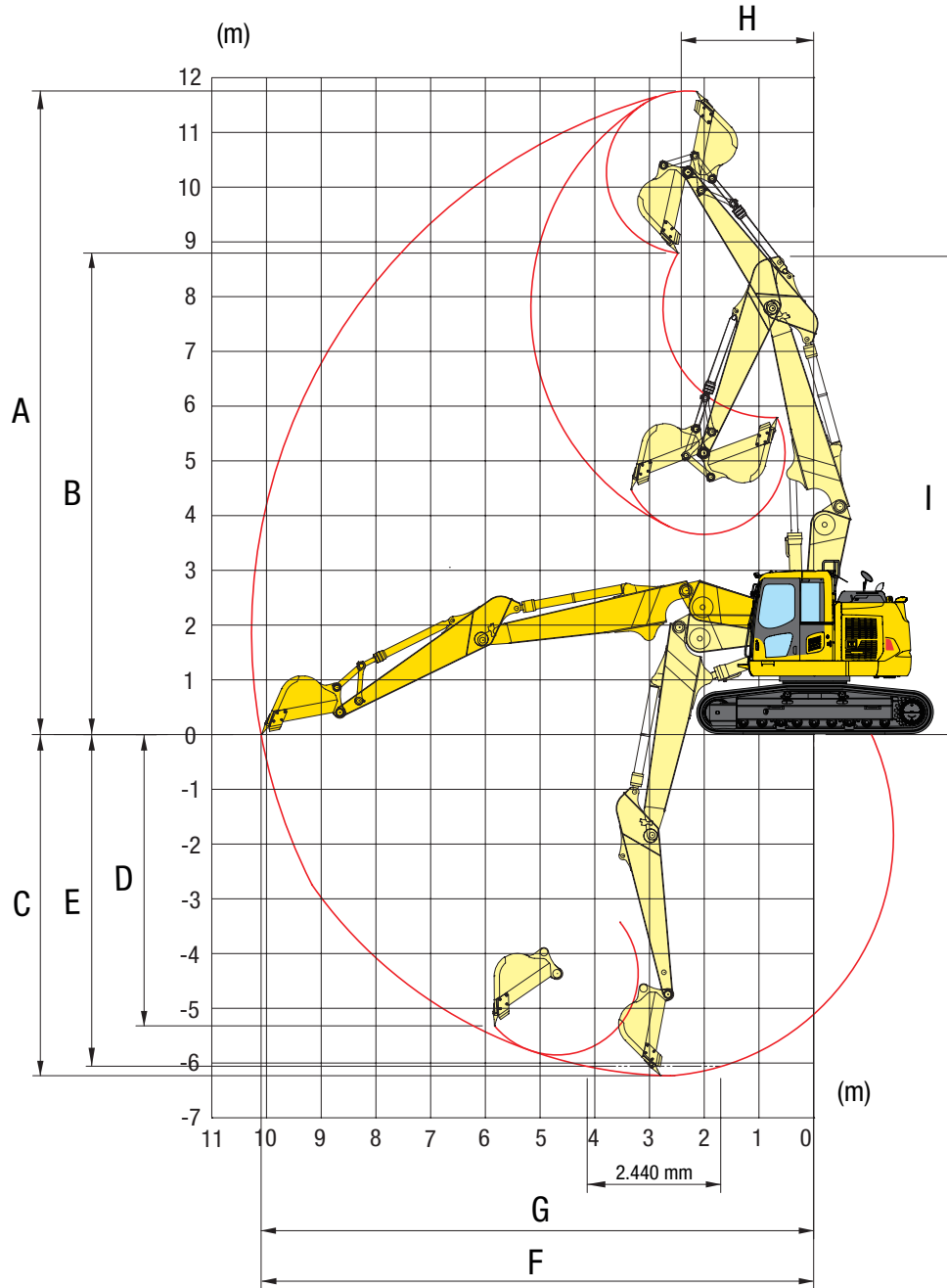
Working Range

MONO BOOM



ARM LENGTH	2,4 m	2,9 m
A Max. digging height	10.380 mm	10.700 mm
B Max. dumping height	7.470 mm	7.825 mm
C Max. digging depth	6.095 mm	6.620 mm
D Max. vertical wall digging depth	5.315 mm	5.980 mm
E Max. digging depth of cut for 2,44 m level	5.840 mm	6.370 mm
F Max. digging reach	9.395 mm	9.875 mm
G Max. digging reach at ground level	9.205 mm	9.700 mm
H Min. swing radius	2.700 mm	2.310 mm

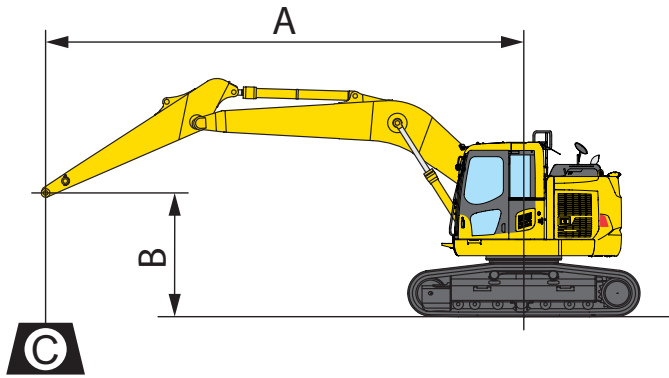
TWO-PIECE BOOM



ARM LENGTH	2,4 m	2,9 m
A Max. digging height	11.305 mm	11.790 mm
B Max. dumping height	8.380 mm	8.830 mm
C Max. digging depth	5.725 mm	6.225 mm
D Max. vertical wall digging depth	4.750 mm	5.350 mm
E Max. digging depth of cut for 2,44 m level	5.535 mm	6.050 mm
F Max. digging reach	9.775 mm	10.270 mm
G Max. digging reach at ground level	9.595 mm	10.950 mm
H Min. swing radius	2.570 mm	2.370 mm
I Max. height at min. swing radius	8.735 mm	8.755 mm

Lifting Capacity

MONO BOOM



A – Reach from swing center

B – Bucket hook height

C – Lifting capacities

Weights:

With 2,4 m arm: bucket, bucket linkage and bucket cylinder: 1.009 kg

With 2,9 m arm: bucket, bucket linkage and bucket cylinder: 985 kg

With 700 mm shoes

– Rating over front

– Rating over side

– Rating at maximum reach

Arm length	A		7,5 m		6,0 m		4,5 m		3,0 m		1,5 m	
	B											

	6,0 m kg	*5.259	4.609			*5.709	*5.709	*5.709	*5.709				
	4,5 m kg	*5.259	3.959	*5.959	4.109	*6.259	5.609	*7.209	*7.209	*8.959	*8.959		
	3,0 m kg	*5.509	3.659	6.109	4.009	*7.259	5.359	*9.459	7.909				
	1,5 m kg	5.409	3.509	6.009	3.859	8.159	5.109	*11.359	7.409				
	0,0 m kg	5.509	3.559	5.909	3.759	8.009	4.959	*12.009	7.109	*7.959	*7.959		
	-1,5 m kg	6.009	3.859	5.859	3.759	7.909	4.859	*11.959	7.059	*10.259	*10.259	*8.659	*8.659
	-3,0 m kg	7.159	4.509			7.959	4.909	*11.309	7.159	*15.609	13.559	*11.959	*11.959
-4,5 m kg	*8.159	6.409					*9.359	7.409	*12.809	*12.809			

	6,0 m kg	*3.735	*3.735	*4.085	*4.085	*5.135	*5.135						
	4,5 m kg	*3.785	3.685	*5.535	4.135	*5.785	5.685	*6.385	*6.385				
	3,0 m kg	*3.935	3.385	*5.985	4.035	*6.785	5.435	*8.585	8.085	*12.385	*12.385		
	1,5 m kg	*4.235	3.285	6.035	3.885	*7.885	5.185	*10.735	7.353	*7.835	*7.835		
	0,0 m kg	*4.735	3.335	5.885	3.785	8.035	4.985	*11.785	7.185	*6.185	*6.185		
	-1,5 m kg	5.535	3.535	5.835	3.735	7.885	4.885	*11.985	7.035	*10.285	*10.285	*6.135	*6.135
	-3,0 m kg	6.385	4.035			7.885	4.885	*12.635	7.085	*15.785	13.335	*10.685	*10.685
-4,5 m kg	*7.785	5.335					*10.235	7.285	*14.235	*13.535			

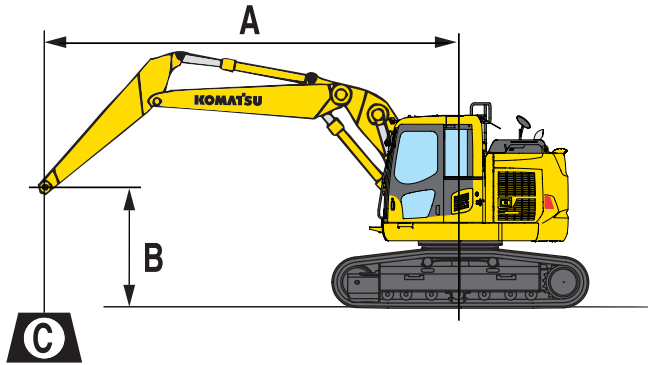
* Load is limited by hydraulic capacity rather than tipping.

Ratings are based on SAE Standard No. J1097.

Rated loads do not exceed 87% of hydraulic lift capacity or 75% of tipping load.

When lifting with additional equipment installed to the arm, please subtract the weight of all additional equipment from the values stated.

TWO-PIECE BOOM



A – Reach from swing center

B – Bucket hook height

C – Lifting capacities

Weights:


With 2,4 m arm: bucket, bucket linkage and bucket cylinder: 1.009 kg















With 2,9 m arm: bucket, bucket linkage and bucket cylinder: 985 kg

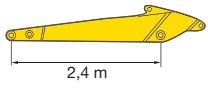
With 600 mm shoes

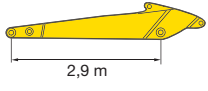
 – Rating over front

 – Rating over side

 – Rating at maximum reach

Arm length	A			7,5 m		6,0 m		4,5 m		3,0 m		1,5 m	
	B												

	6,0 m	kg	*5.250	3.350									
	4,5 m	kg	4.750	2.750	5.100	3.000	*6.150	4.450	*7.600	7.050			
	3,0 m	kg	4.300	2.500	5.000	2.900	*6.900	4.100	*9.200	6.300			
	1,5 m	kg	4.200	2.400	4.850	2.750	6.800	3.850	*10.500	5.750			
	0,0 m	kg	4.300	2.450	4.750	2.700	6.650	3.700	10.550	5.550			
	-1,5 m	kg	4.750	2.700	4.800	2.700	6.600	3.650	10.550	5.600			
	-3,0 m	kg											

	6,0 m	kg	*3.450	2.950	*4.750	3.200	*5.300	4.800	*5.850	*5.850	*6.000	*6.000
	4,5 m	kg	*3.350	2.500	*5.200	3.100	*5.800	4.550	*7.000	*7.000	*9.650	*9.650
	3,0 m	kg	*3.400	2.250	5.050	2.950	*6.550	4.200	*8.600	6.450		
	1,5 m	kg	*3.550	2.200	4.900	2.800	6.850	3.850	*10.000	5.800		
	0,0 m	kg	*3.900	2.200	4.750	2.650	6.600	3.650	10.450	5.450		
	-1,5 m	kg	4.250	2.400	4.700	2.650	6.550	3.600	10.400	5.400		
	-3,0 m	kg										

* Load is limited by hydraulic capacity rather than tipping.

Ratings are based on SAE Standard No. J1097.

Rated loads do not exceed 87% of hydraulic lift capacity or 75% of tipping load.

When lifting with additional equipment installed to the arm, please subtract the weight of all additional equipment from the values stated.

Hydraulic Excavator

PC228USLC-10

Standard and Optional Equipment

ENGINE

Komatsu SAA6D107E-2 turbocharged common rail direct injection diesel engine	●
EU Stage IIIB compliant	●
Suction type cooling fan with radiator fly screen	●
Automatic engine warm-up system	●
Engine overheat prevention system	●
Fuel control dial	●
Auto-deceleration function	●
Engine key stop	●
Engine ignition can be password secured on request	●
Alternator 24 V/60 A	●
Starter motor 24 V/5,5 kW	●
Batteries 2 × 12 V/120 Ah	●

HYDRAULIC SYSTEM

Electronic closed-centre load sensing (E-CLSS) hydraulic system (HydrauMind)	●
Pump and engine mutual control (PEMC) system	●
One additional hydraulic circuit	●
6-working mode selection system; power mode, economy mode, breaker mode, attachment power and attachment economy mode, and lifting mode	●
PowerMax function	●
Adjustable PPC wrist control levers for arm, boom, bucket and swing, with sliding proportional control for attachments and 3 auxiliary buttons	●
Prepared for hydraulic quick-coupler	●
Additional hydraulic functions	○

UNDERCARRIAGE

Track frame under-guards	●
600 mm triple grouser shoes	●
700, 800 mm triple grouser shoes	○
600 mm road-liner (rubber) shoes	○
Full length track roller guards	○

CABIN

Reinforced safety SpaceCab™; Highly pressurised and tightly sealed hyper viscous mounted cab with tinted safety glass windows, large roof hatch, pull-up type front window with locking device, removable lower window, front window wiper with intermittent feature, cigarette lighter, ashtray, luggage shelf, floor mat	●
Heated, high back air suspension seat with lumbar support, height adjustable arm rests and retractable seat belt	●
Automatic climate control system	●
12 Volt power supply	●
Beverage holder	●
Radio	●
Auxiliary input (MP3 jack)	●
Lower wiper	○
Rain visor (not with OPG)	○

SERVICE AND MAINTENANCE

Automatic fuel line de-aeration	●
Double element type air cleaner with dust indicator and auto dust evacuator	●
KOMTRAX™ – Komatsu wireless monitoring system	●
Multi-function video compatible colour monitor with Equipment Management and Monitoring System (EMMS) and efficiency guidance	●
Toolkit and spare parts for first service	●
Komatsu CARE	●

DRIVES AND BRAKES

Hydrostatic, 3-speed travel system with automatic shift and planetary gear type final drives, and hydraulic travel and parking brakes	●
PPC control levers and pedals for steering and travel	●

SAFETY EQUIPMENT

Rear view camera system	●
Electric horn	●
Overload warning device	●
Lockable fuel cap and covers	●
Audible travel alarm	●
Boom safety valves	●
Large handrails, rear-view mirrors	●
Battery main switch	●
ROPS compliant to ISO12117-2:2008	●
Arm safety valve	●
Emergency engine stop switch	●
OPG Level II front guard (FOPS)	○
OPG Level II top guard (FOPS)	○
Additional camera, right side mounted	○

LIGHTING SYSTEM

Working lights: 1 revolving frame and 1 boom (r.h.)	●
Additional working lights: 5 cab roof, 1 boom (l.h.), 1 counterweight (rear), additional revolving frame (l.h.), beacon and harness for 2 lamps (not included) in boom foot area	○

WORK EQUIPMENT

Mono boom	○
Two-piece boom	○
2,4 m; 2,9 m arms (HCU assembly includes piping for one additional function)	○
Komatsu buckets	○
Komatsu breakers	○

OTHER EQUIPMENT

Remote greasing for swing circle and pins	●
Electric refuelling pump with automatic shut off function	●
Standard colour scheme and decals	●
Parts book and operator manual	●

Further equipment on request

- standard equipment
- optional equipment

Your Komatsu partner:

KOMATSU

Komatsu Europe International N.V.
 Mechelsesteenweg 586
 B-1800 VILVOORDE (BELGIUM)
 Tel. +32-2-255 24 11
 Fax +32-2-252 19 81
www.komatsu.eu

UENSS17003 08/2016

Materials and specifications are subject to change without notice.
KOMATSU is a trademark of Komatsu Ltd. Japan.